

# PWGSC Workspaces Supply Arrangement

*E60PQ/140003/038/PQ*



## Why Horizon?

Horizon Furniture™ is a leading manufacturer of Ergonomic Office Seating and distributor of Ergonomic Computer Accessories based in Kitchener, Ontario. Established in July 1988, this local manufacturer and distributor has been serving Canada for over 25 years. From its humble beginning, it has grown into the 42,000 sq. ft. facility that you see.

Horizon Furniture™ values the process and strives for a total experience for their clients. As a family owned business, the family values of the company are extended to their employees and to their customers, which is evidently the highest priority. This is what makes Horizon Furniture™ stand out from others; maintaining and developing relationships as their pinnacle of success.

Research and development is a keen area for Horizon Furniture™. They continue to develop new and interesting products based on customer feedback, ergonomic principles and advances as well as industry design trends. Recently, Horizon Furniture™ has attained a Supply Arrangement with the Government of Canada. This is one of the many clients they support as their client base continues to expand.

Horizon Furniture™ is a trusted name in office seating manufacturing thanks to their advocacy for environmentally friendly alternatives. This includes wood that is certified and sourced by the Forest Stewardship Council FSC, BioFoam™ which is sourced from seed-based renewable resource, fabrics constructed from recycled materials, as well as recycling 95% of all waste produced by the facility. This is a testament to the values of Horizon Furniture™ and the future generations.

---

## Quality Confidence

- ISO: 9001
- BIFMA
- ANAB
- GelFoam™

gelfoam™



---

## Contact Us

### Supply Arrangement Holder

Horizon Furniture  
840 Trillium Drive  
Kitchener, ON, N2R 1K4

### Supply Arrangement Number

E60PQ/140003/038/PQ

### Category of Product

Workstations Supplier Contract  
General Inquiries Patrick Flanagan  
T: 519 748 9874 / 800 268 3427  
F: 519 748 9856 / 800 318 8447  
Email: [patrick@horizon-furniture.com](mailto:patrick@horizon-furniture.com)  
Web: [www.horizon-furniture.com](http://www.horizon-furniture.com)

Delivery Cost (per shipment)

Please contact your Horizon™ representative for a quote

Payment of Invoices



# Horizon™ Keyboard Combos



## Ecoboard 01™ Keyboard Combo

- Lift n' lock height adjustment with dial-tilt angle adjustment
- Suitable for right or left-hand users
- 27" x 11" high density polyethylene platform with wrist rest
- Complies to BIFMA/HFES, 100-2007 standards
- 100% recyclable

Model: EB-01  
SA Code: KMSLFG24/KMSLFG30  
Ceiling Price: \$274.45



## Jive™ Keyboard Combo

- Lift n' lock height adjustment with dial-tilt angle adjustment
- Suitable for right or left-hand users
- 26" x 11.5" steel tray with wrist rest
- Complies to BIFMA/HFES, 100-2007 standards

Model: JV-01  
SA Code: KMSLFP24/KMSLFP30/KMSLFF24/KMSLFF30  
Ceiling Price: \$266.75

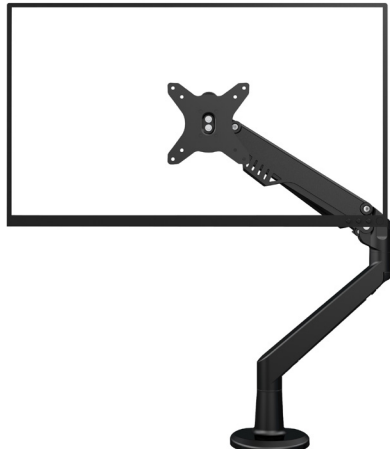


## Hustle™ Keyboard Combo

- Lift n' lock height adjustment with dial-tilt angle adjustment
- Suitable for right or left-handed users
- 28" x 11.5" phenolic tray with wrist rest
- Complies to BIFMA/HFES, 100-2007 standards

Model: HS-01  
SA Code: KMSLFG24/KMSLFG30  
Ceiling Price: \$257.95

# Horizon™ Flat Screen Monitor Supports



## Single Arm Monitor Support

- Gas spring arm technology
- Holds monitors up to 30" and 4.4-19.8lbs/2-9kg.
- 360° swivel with a 180° and 120° lock-out option
- 180° monitor rotation for portrait or landscape viewing
- VESA mount plate for 75mm and 100mm
- Clamp or grommet mount (both included)
- Cable management
- Exceeds BIFMA standards

Model: AEB-17HA  
Clamp Mount: 5MOASGARMCLPMTXXXXX  
Grommet Mount: 5MOASGARMGRMMTXXXXX  
Ceiling Price: \$119.40



## Single Arm Monitor Support

- Gas spring arm technology
- Holds monitors up to 38" and 8.8-28.6 lbs/4-13 kg.
- 360° swivel with a 180° stop included and 120° stop optional
- Tilt range + 90° to - 45°
- VESA mount plate for 75mm and 100mm
- Clamp or grommet mount (both included)
- Cable management
- Exceeds BIFMA standards

Model: **HD-AEB-17HA**  
Clamp Mount: 5MOAHDSGARMCLPMTXXXXX  
Grommet Mount: 5MOAHDSGARMGRMMTXXXXX  
Ceiling Price: \$137.40

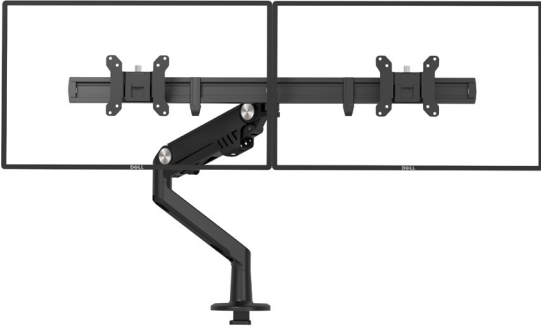


## Dual Arm Monitor Support

- Gas spring arm technology
- Holds monitors up to 30" and 4.4-19.8lbs/2-9kg., per arm
- 360° swivel with a 180° and 120° lock-out option
- 180° monitor rotation for portrait or landscape viewing
- VESA mount plate for 75mm and 100mm
- Clamp or grommet mount (both included)
- Cable management
- Exceeds BIFMA standards

Model: AEB-27HA  
Clamp Mount: 5MOADUARMCLPMTXXXXX  
Grommet Mount: 5MOADUARMGRMMTXXXXX  
Ceiling Price: \$209.40

## Single Arm - Dual Monitor Support



- Gas spring arm technology
- Holds monitors up to 27" and 13.2 lbs /6kg. per arm
- 360° swivel with a 180° and 120° lock-out option
- Horizontal movement: 5° levelling adjustment
- Handle for easy positioning of monitors
- Clamp or grommet mount (both included)
- Cable management
- Exceeds BIFMA standards

Model: AEB-28CB  
Clamp Mount: 5MOADUARMCLPMTXXXXX  
Grommet Mount: 5MOADUARMGRMMTXXXXX  
Ceiling Price: \$197.40

## Horizon™ CPU Holders



### Horizon™ CPU Holder

- Stores CPU's under or beside desks
- Four casters - for mobility
- Solid steel frame with padding
- Adjusts from 5" - 11" wide

Model: CPU-R  
SA Code: 5CPSSTDAL  
Ceiling Price: \$75.00



### Horizon™ CPU Holder

- Work surface mounted (underside)
- Single tool ratchet adjustment for strap
- 360° swivel
- Retracts on 17" track
- Accommodates CPU up to 75lbs and 64" in perimeter

Model: CPU-S  
SA Code: 5CPSUNWKS  
Ceiling Price: \$131.40

# Horizon™ Task Lights and Power Bars



## Horizon™ Task Lighting

- Dimmable: 6 brightness levels, 5 color temperature modes
- Eye Protection: no glaring, ghosting, or flickering
- Adjustable: Multi-angle adjustable head and arm
- Energy saving: 80% less energy than incandescent lamps
- Timer & memory function: 30 mins/60 mins timing, brightness
- USB charging: Built-in USB port for smartphones, tablets
- Available in Black TL-01B and Silver TL-01S

Model: TL-01B / TL-01S  
SA Code: 5TLTDSKBAUSBPWXXXXX  
Ceiling Price: \$83.40



## Horizon™ Power Bar Clamp Mount

- Aluminum housing
- 2 Tamper Resistant (TR) outlets
- 1 USB Port 5V, 2.1A (10.5 watts)
- 1 USBC Port 5V, 2.4A (12 watts)
- 10' 14AWG x 3C power cord
- Rating: 125V 60Hz 15A
- Size: 5.1" x 2.6" x 2.1"(130 x 67 x 53mm)
- UL & cUL certified for use in USA and Canada
- Worksurface clamp mount included

Model: TVP-21100  
SA Code: 5PMOWKSMTACUBXXXXX  
Ceiling Price: \$147.00

# Horizon General Warranty Information

HORIZON offers the following warranties to the original owner of a Horizon product, when purchased from an authorized HORIZON dealer. These warranties protect the original purchaser against defects in materials and workmanship. The warranties do not cover any onsite labour or transportation costs incurred during the warranty period. HORIZON will repair and/or replace, solely at its discretion, components found to be defective, as the sole remedy for any covered defect. These warranties do not cover products that are abused, misused, altered or damaged during shipment or storing, as determined by HORIZON. Warranties do not apply to damage caused by normal wear and tear or any products being used for rental purposes. HORIZON warranties do not apply to failures resulting from: negligence, abuse, misuse or accident, improper assembly, installation or maintenance, modification, attachments or unauthorized repairs, damage caused by carriers in transit or delivery. HORIZON makes no warranty that any of its products are suitable for any specific purpose and makes no other warranties, expressed or implied, other than set out here. In no event shall HORIZON be liable for any loss, direct or indirect, nor for any damages, whether incidental, consequential or exemplary. Note: Warranties set out below are based on normal commercial product use unless specifically stated otherwise. Normal use is defined as standard, single shift work day (8hrs/day - 40hrs/week) for users weighing up to 250 pounds.

## Horizon ECA™ - Limited Lifetime Warranty

HORIZON warrants that their computer hardware support products so designated will be free from defects in materials and workmanship and will perform their intended function, under normal installation and use, for the lifetime of the product. Components of the support mechanisms which provide height adjustment or a reduction in closing forces shall be warranted for a period of 5 years.

*Horizon Furniture. A Proud Canadian Manufacturer.*



Horizon has a 42,000 square foot, state of the art manufacturing facility in Kitchener, ON.  
**Horizon Furniture has achieved: ISO 9001 Quality Management System Certification**

Horizon Furniture, 2024  
[www.horizon-furniture.com](http://www.horizon-furniture.com)  
Rev.10/2024